

Level Switch
Type LSA ... Exd (IIC)

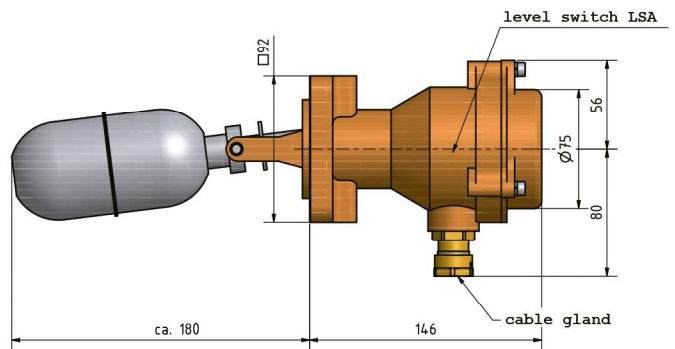
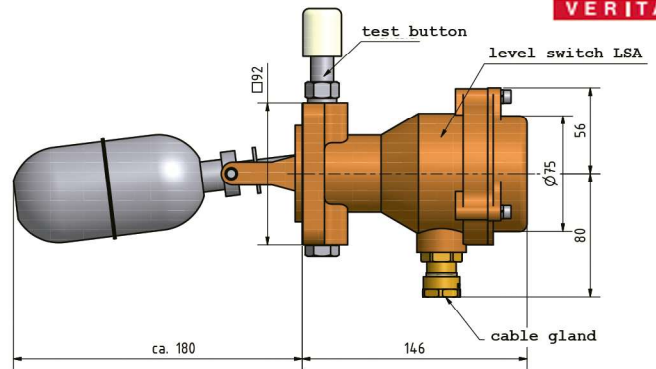


BUREAU
VERITAS

TECHNICAL DATA

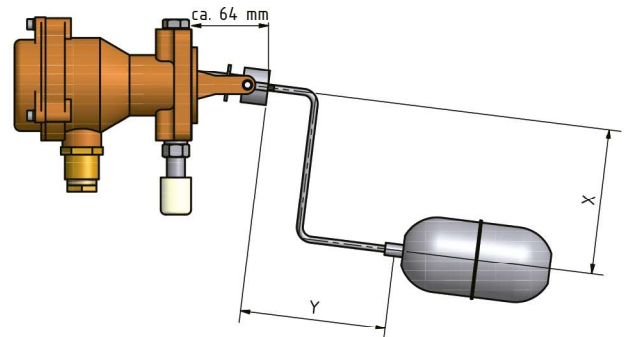
materials	
housing	gun metal RG5 oder RG10
float unit	1.4571
flat seal	oil and sea water proofed Novapress
rubber seal	EPDM, NBR70
protection type	IP68 cable gland
approvals	DNV · GL Lloyd's Register Bureau Veritas Russian Register RINA ABS ATEX - IBExU
max. pressure	42 bar (floaters)
max. density	0,46 g/cm ³
max. temperature ambient temperature	-40°C...+125°C -40°C...+60°C (Exd-version)
mounting position	top or side
electrical connection	cable gland, M20x1,5, IP68
contact mode	SPDT
weight	ca. 3,5 kg

DIMENSIONS



ELECTRICAL DATA

rating	V AC	V DC induktiv	V DC resistive
max. voltage V	bis 250 V	24 V	24 V
max. current A (microswitch)	6 A	2 A	2 A



WIRING DIAGRAM (DIN EN 50005)

